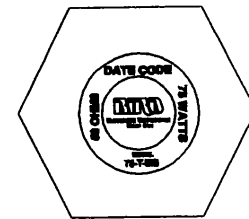
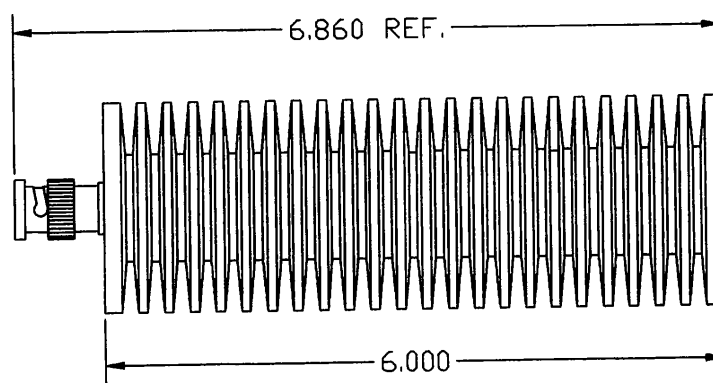
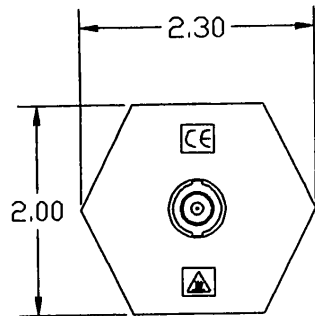


PART NUMBER
75-T-MB
 REV. A 1-6-99, ECN# 0220



SPECIFICATIONS:

POWER RATING: 75 W MAX. @ 40°C.
 90 W MAX. @ 25°C.

FREQUENCY RANGE & VSWR:

DC TO 1GHz AT 1.10:1 MAX.
 1GHz TO 4GHz AT 1.25:1 MAX.

IMPEDANCE: 50 OHMS, NOMINAL

AMBIENT TEMPERATURE RANGE: -40°C TO +40°C

CONNECTOR: BNC MALE (SILVER OR TRI-ALLOY PLATED)

OPERATING POSITION: ANY (CONVECTION COOLED)

FINISH: BLACK ANODIZED

NOMINAL SIZE: APPROX. 6.86" L X 2.3" DIA.

WEIGHT: APPROX. 1.32 LBS

UNLESS OTHERWISE SPECIFIED TOLERANCES ARE
 .XX = +/- .015
 .XXX = +/- .005

SCALE
 DIM. ARE IN INCHES

APPROVED BY *[Signature]*

DATE 1-7-99

BIRD COMPONENT PRODUCTS INC.

DESCRIPTION 75 WATT CONVECTION COOLED TERMINATION, BNC MALE

DWG. BY DMD

DATE 7-1-97

PART NUMBER 75-T-MB

REV. A